

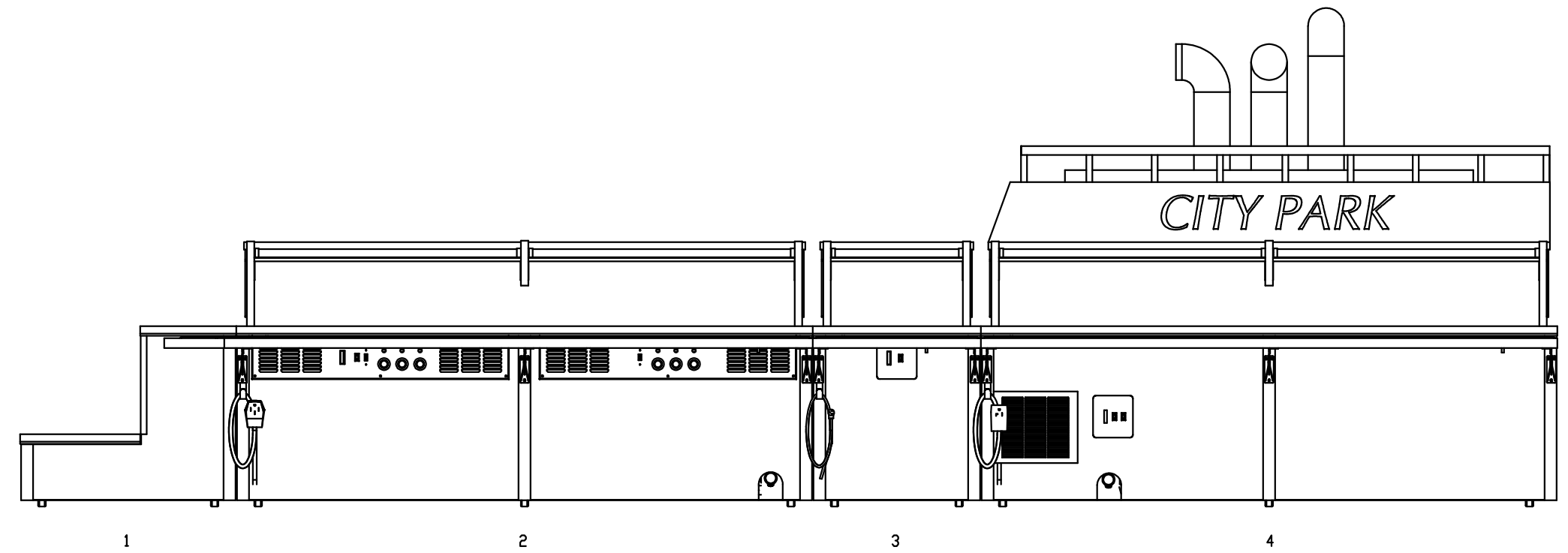
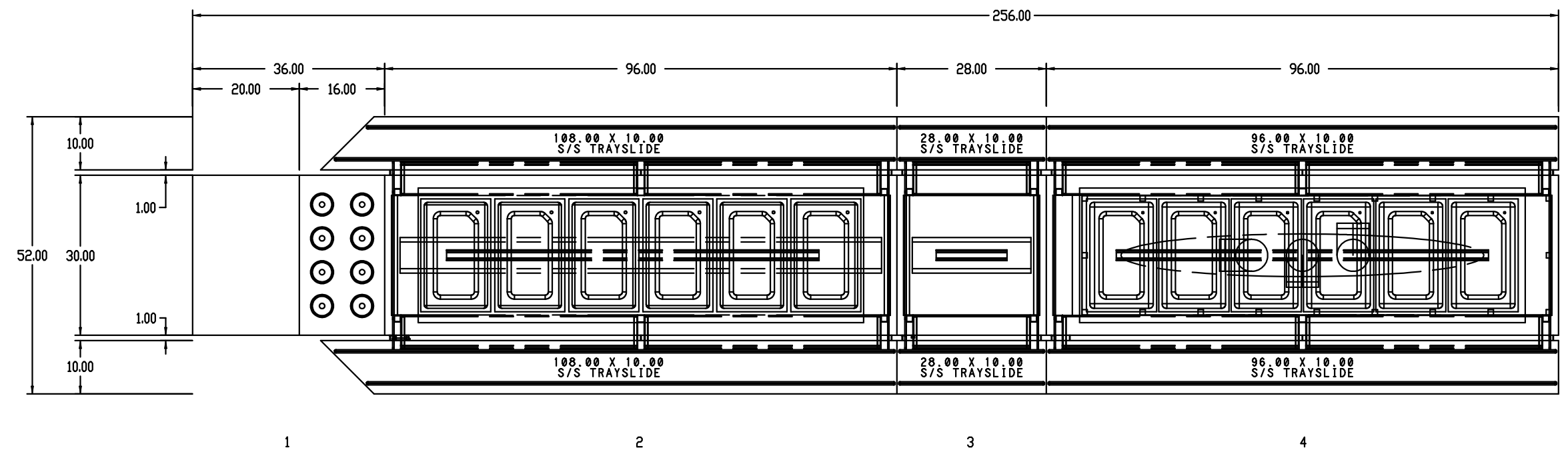
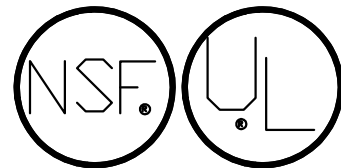
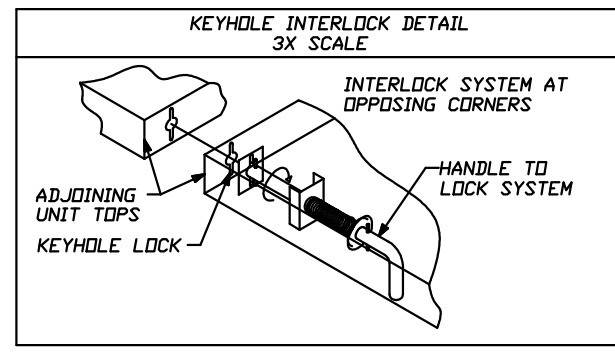
- NOTES:**
- TOPS ARE TO BE 14 GAUGE S/S
 - PROVIDE INTERLOCKS AS REQUIRED
 - PROVIDE LOCKING POLYURETHANE CASTERS ON EACH UNIT
 - CORNS STANDARD WITH 90° PLUGS
 - UNITS SPECIFIED WITH DRAINS TO HAVE GATE VALVE AND GARDEN HOSE HOOK UP
 - ADAPTER BARS SUPPLIED BY OTHERS UNLESS SPECIFIED
 - WHEN TRAYSIDE/WORK SHELF BRACKETS ARE USED, FOLD DOWN BRACKETS ARE STANDARD UNLESS OTHERWISE REQUESTED
 - ALL 120 VOLT RECEPTACLES (15 AND 20) AMP WILL BE GFCI PROTECTED DUPLEXES
 - SHELLEYSTEEL (LAMINATED) PROVIDE ANGULAR FRAME BASES WITH LAMINATE SIDE PANELS
 - COLOR: SUBMARINE GRAPHICS PACKAGE

APPROVED FOR FABRICATION

APPROVED
 APPROVED AS NOTED
 RESUBMIT

COMPANY: _____
 BY: _____ DATE: _____

If you are placing equipment into an area which has certain electrical or other safety hazards, you should consult with the local authority having jurisdiction (LAFJ) for approval of your specifications and safety practices. It is your responsibility to verify the safety of your equipment before fabrication. Changes to your specifications to meet any standards without any additional charges.



000-400ZLK1
 MODEL: SC15-36 ITEM NO. 1
 -TRAY AND SILVER STAND
 -80 PLASTIC SILVERWARE CONTAINERS
 -PLASTIC SILVERWARE
 -EXTENDED SIDES ON FRONT AND REAR WITH EXTENDED FLIP UP PANEL ON LEFT
 -CUSTOM GRAPHIC WRAP FOR SUBMARINE DESIGN

000-400ZLK2
 MODEL: SH16-NJ ITEM NO. 2
 -HEATED SERVING COUNTER
 -ELECTRIC HOT FOOD TABLE
 -RECESSED WITH BRAINS
 -NEW NO. 14-50 PLUG WITH 9FT CORD
 120/208-230-60-1PH-332A
 -EXTENDED SIDES ON FRONT AND REAR
 -CUSTOM GRAPHIC WRAP FOR SUBMARINE DESIGN

000-400ZLK3
 MODEL: SC-28-NJ ITEM NO. 3
 -ALL PURPOSE COUNTER
 -NEW NO. 5-15 PLUG WITH 9FT CORD
 120-60-1PH-72A
 -EXTENDED SIDES ON FRONT AND REAR
 -CUSTOM GRAPHIC WRAP FOR SUBMARINE DESIGN

000-400ZLK4
 MODEL: SCSC-96-EF ITEM NO. 3
 -"LIGHTED" COLD PAN SERVING COUNTER
 -NEW NO. 5-15 PLUG WITH 9FT CORD
 120-60-1PH-72A
 -CD 1200 BY 2000 MECH. COOLED COLD PANS UTILIZING EUTECTIC FLUID FOR MINIMUM ENERGY USAGE AND TO MAINTAIN EVEN, SUPER COLD TEMPERATURES
 -RECESS WELLS FOR SHEET PANS
 18V-600-1PH-7A-1/4HP
 -EXTENDED SIDES ON FRONT, REAR, & END
 -CUSTOM GRAPHIC WRAP FOR SUBMARINE DESIGN

000G240ZLK2
 MODEL: HD-96 ITEM NO. 21
 -S/S CONSTRUCTED DUAL SERVICE SINGLE TIER DISPLAY
 -18 GAUGE S/S TOP SHELF
 -ADJUSTABLE 02S SAFETY GLASS FRONTS
 -02S ACRYLIC ENDS
 -12S SQUARE S/S TUBING LEGS
 -72" LED LIGHT

000G240ZLK3
 MODEL: HD-28 ITEM NO. 31
 -S/S CONSTRUCTED DUAL SERVICE SINGLE TIER DISPLAY
 -18 GAUGE S/S TOP SHELF
 -ADJUSTABLE 02S SAFETY GLASS FRONTS
 -02S ACRYLIC ENDS
 -12S SQUARE S/S TUBING LEGS
 -24" LED LIGHT

000G240ZLK4
 MODEL: HD-96 ITEM NO. 41
 -S/S CONSTRUCTED DUAL SERVICE SINGLE TIER DISPLAY
 -18 GAUGE S/S TOP AND MIDDLE SHELF
 -ADJUSTABLE 02S SAFETY GLASS FRONTS
 -02S ACRYLIC ENDS
 -12S SQUARE S/S TUBING LEGS
 -72" LED LIGHT
 -POWDER COAT FINISH
 COLOR: YELLOW
 -SUBMARINE TOP PROVIDED WITH CD HORNS
 POWDER COATED AND FINISHED AT DIFFERENT HEIGHTS AND DIRECTION ON BASE
 -TOP ON CD PIECES BASE TO BE YELLOW
 RAIL TO BE RED AND STACKS TO BE YELLOW
 ALL POWDERCOATED
 -RAL R09/2000 FIRE ENGINE RED
 -RAL R09/2000 SAFETY YELLOW
 -PORTHOLE GRAPHICS ON BASE PIECE

