

APPROVED FOR FABRICATION

APPROVED
 APPROVED AS NOTED
 RESUBMIT

COMPANY: _____
 BY: _____ DATE: _____

If you are placing equipment into an area which has certain standards or codes other than those normally accepted in the food - service industry (NSF, etc.) Delfield must be advised of these specifications in detail before fabrication of the equipment in order that we may quote additional costs. Failure to notify The Delfield Company before fabrication releases us from any obligation to modify our standards without any additional charges.

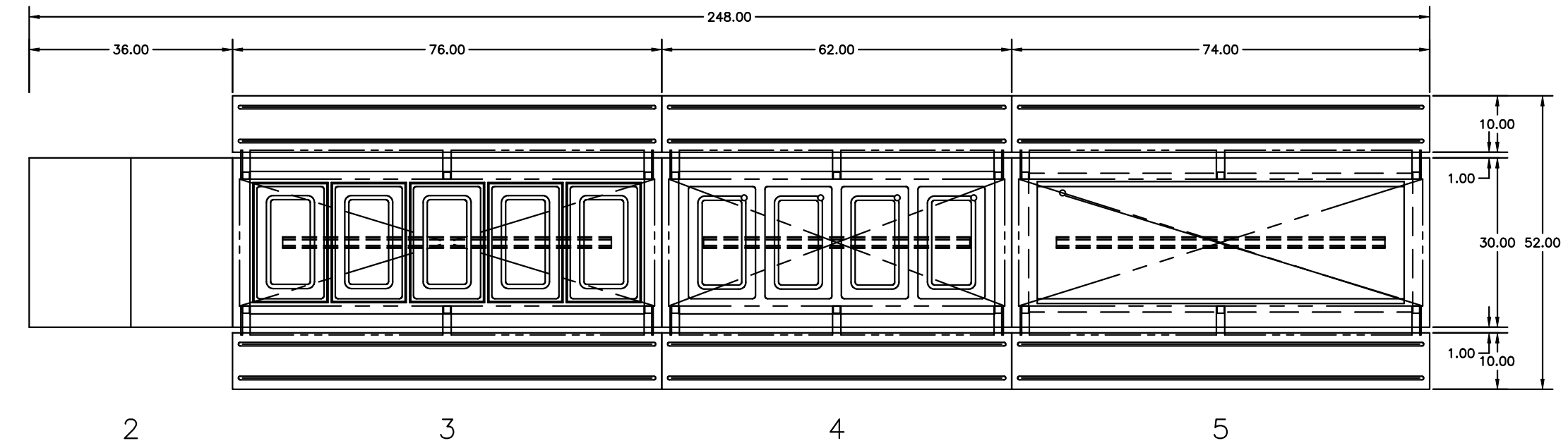
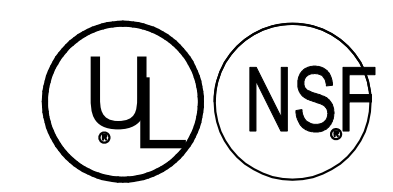
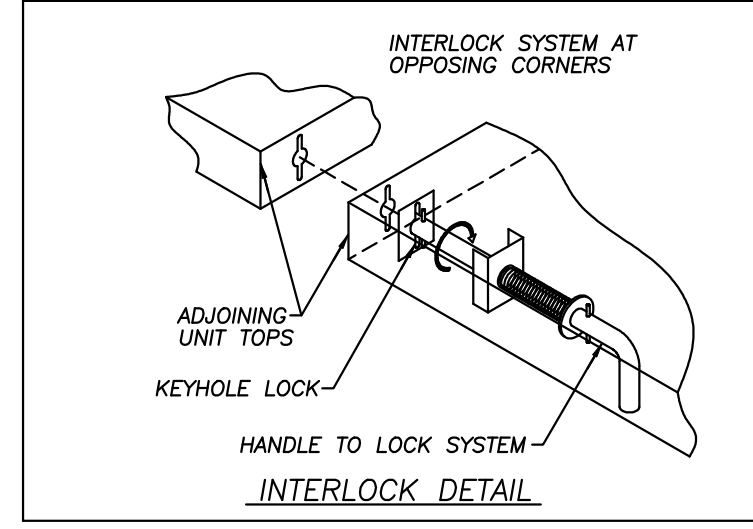
Shelleyglas

NOTES:

- * TOPS ARE TO BE 14 GAUGE S/S
- * PROVIDE INTERLOCKS AS REQUIRED
- * ALL STANDARD LOCKING POLYURETHANE CASTERS
- * CORDS STANDARD WITH 90° PLUGS
- * UNITS SPECIFIED WITH DRAINS TO HAVE GATE VALVE AND GARDEN HOSE HOOK UP
- * SUNFLOWER YELLOW
- * WHEN TRAY SLIDE/WORK SHELF BRACKETS ARE USED: FOLD DOWN BRACKETS ARE STANDARD UNLESS OTHERWISE REQUESTED
- * ALL 120 VOLT RECEPTACLES (15 AND 20 AMP) WILL BE GFCI PROTECTED DUPLEXES

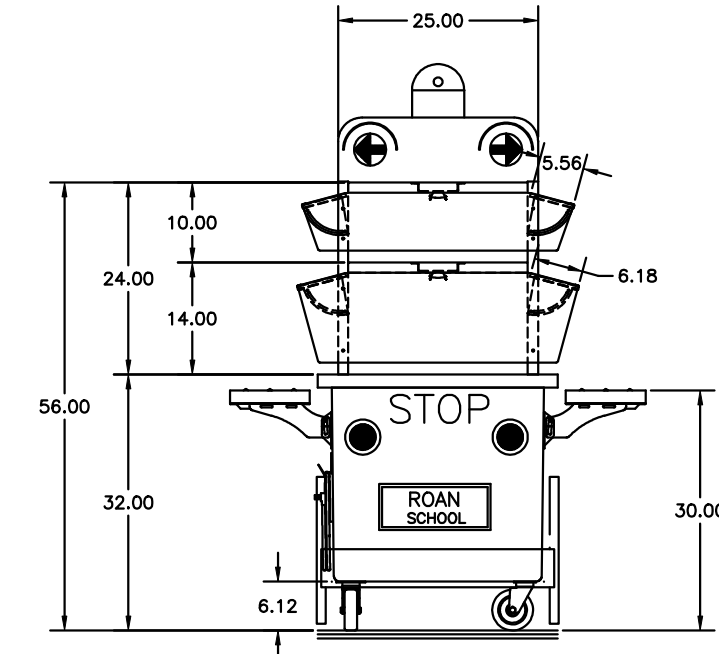
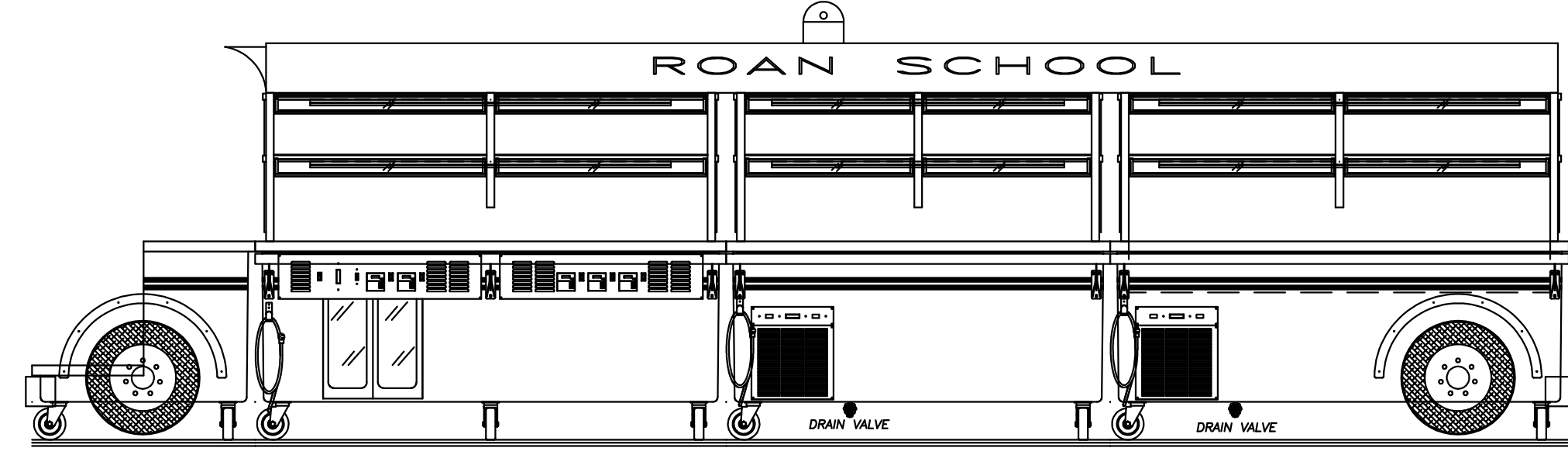
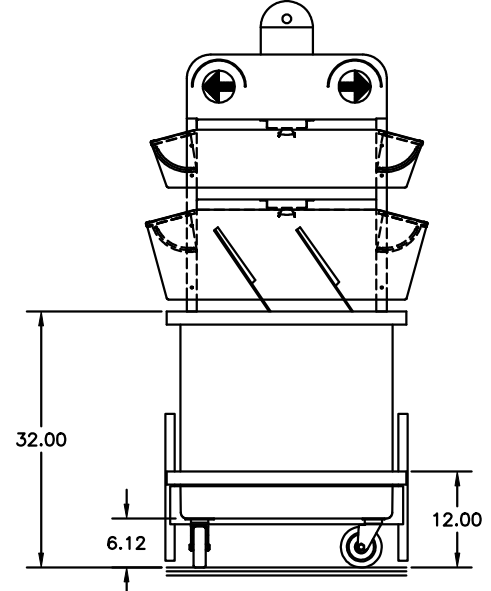
ENVIRONMENTALLY FRIENDLY INSULATION

- KYOTO PROTOCOL COMPLIANT
- NON O.D.P. (OZONE DEPLETION POTENTIAL)
- NON G.W.P. (GLOBAL WARMING POTENTIAL)
- POLYURETHANE INSULATION



PROVIDE LINEUP WITH SCHOOL BUS THEME

CP-3 CP-3 CP-5



- | | | | |
|--------------------------------------------------------------------------------|-----------------------------------------------------------------------------------------------------------------------------------------------------------------------------------------------------------------------------------------------------------------------------------------------------------------------------------------------------------------------------------------------------------------------------------------------------------------------------------------------------------------------------------------------------------------------------------------------|-----------------------------------------------------------------------------------------------------------------------------------------------------------------------------------------------------------------------------------------------------------------------------------------------------------------------------------------------------------------------------------------------------------------------------------------------------------------------------------------------------------------------------------------------------------------------------------------------------------------------------------------------------------------------------------------------------------------------|--------------------------------------------------------------------------------------------------------------------------------------------------------------------------------------------------------------------------------------------------------------------------------------------------------------------------------------------------------------------------------------------------------------------------------------------------------------------------------------------------------------------------------------------------------------------------------------------------------------|
| SKU NO. 000-400ZYCA1
MODEL NO. KC7S-36 ITEM NO. 2
-TRAY AND SILVER STAND | SKU NO. 000-400ZYCA2
MODEL NO. KH-5-NJ ITEM NO. 3
-HEATED SERVING COUNTER
-NEMA NO. 14-20 PLUG WITH 9FT CORD
-ELECTRIC LID WATT (WET OR DRY)
HOT FOOD TABLE
208-230V-60C-IPH-13.5A
-1" RECESSED TOP FOR SHEET PANS BY OTHERS
-(2) 14GA S/S CONSTRUCTED ROLLED "V" TRAY SLIDES
-MOUNTED ON FOLD-DOWN BRACKETS
-S/S CONSTRUCTED DUAL SERVICE DOUBLE TIER DISPLAY
-18 GAUGE S/S TOP SHELF
-18 GAUGE S/S MIDDLE SHELF
-ADJUSTABLE 0.25 SAFETY GLASS FRONTS
-0.25 ACRYLIC ENDS
-1.25 SQUARE S/S TUBING LEGS
-(2) 60.00 LED LIGHT (120V-0.20A EACH) | SKU NO. 000-400ZYCA3
MODEL NO. KC5C-60-EF ITEM NO. 4
-"LIQUITEC" COLD PAN SERVING COUNTER
-NEMA NO. 5-15 PLUG WITH 9FT CORD
115V-60C-IPH-7.20A
-(4) 12.00 BY 20.00 MECH. COOLED COLD PANS UTILIZING EUTECTIC FLUID FOR MINIMUM ENERGY USAGE AND TO MAINTAIN EVEN, SUPER COLD TEMPERATURES
115V-60C-IPH-7.0A-1/4HP
-RECESSED FOR SHEET PANS BY OTHERS
-(2) 14GA S/S CONSTRUCTED ROLLED "V" TRAY SLIDES
-MOUNTED ON FOLD-DOWN BRACKETS
-S/S CONSTRUCTED DUAL SERVICE DOUBLE TIER DISPLAY
-18 GAUGE S/S TOP SHELF
-18 GAUGE S/S MIDDLE SHELF
-ADJUSTABLE 0.25 SAFETY GLASS FRONTS
-0.25 ACRYLIC ENDS
-1.25 SQUARE S/S TUBING LEGS
-(2) 48.00 LED LIGHT (120V-0.16A EACH) | SKU NO. 000-400ZYCA4
MODEL NO. KC5C-74-B ITEM NO. 5
-COLD PAN SERVING COUNTER
-NEMA NO. 5-15 PLUG WITH 9FT CORD
115V-60C-IPH-7.40A
-65.00 BY 21.62 BY 7.00 MECH. COOLED COLD PAN WITH DRAIN
115V-60C-IPH-7.0A-1/4HP
-4" DEEP PANS BY OTHERS
-(2) 14GA S/S CONSTRUCTED ROLLED "V" TRAY SLIDES
-MOUNTED ON FOLD-DOWN BRACKETS
-S/S CONSTRUCTED DUAL SERVICE DOUBLE TIER DISPLAY
-18 GAUGE S/S TOP SHELF
-18 GAUGE S/S MIDDLE SHELF
-ADJUSTABLE 0.25 SAFETY GLASS FRONTS
-0.25 ACRYLIC ENDS
-1.25 SQUARE S/S TUBING LEGS
-(2) 60.00 LED LIGHT (120V-0.20A EACH) |
|--------------------------------------------------------------------------------|-----------------------------------------------------------------------------------------------------------------------------------------------------------------------------------------------------------------------------------------------------------------------------------------------------------------------------------------------------------------------------------------------------------------------------------------------------------------------------------------------------------------------------------------------------------------------------------------------|-----------------------------------------------------------------------------------------------------------------------------------------------------------------------------------------------------------------------------------------------------------------------------------------------------------------------------------------------------------------------------------------------------------------------------------------------------------------------------------------------------------------------------------------------------------------------------------------------------------------------------------------------------------------------------------------------------------------------|--------------------------------------------------------------------------------------------------------------------------------------------------------------------------------------------------------------------------------------------------------------------------------------------------------------------------------------------------------------------------------------------------------------------------------------------------------------------------------------------------------------------------------------------------------------------------------------------------------------|

SHEET NUMBER: 1 OF 1
 DRAWN BY: CUL
 APPROVED BY: K. KREINER
 DATE: 11/20/17
 SCALE: 1/2" = 1'-0"

JOB NAME: ROAN SCHOOL - SCHOOL BUS
 DEALER: _____

VEP SITE @ WWW.DELFIELD.COM
 980 S. ISABELLA RD.
 MT. PLEASANT, VT. 48858
 (888) 773-7981 • 800-233-8821
 THIS DRAWING IS THE PROPERTY OF DELFIELD. IT IS TO BE USED FOR REPRESENTATION WITHOUT THE EXPRESS WRITTEN CONSENT OF DELFIELD.

DELFIELD
 A Weibit Brand